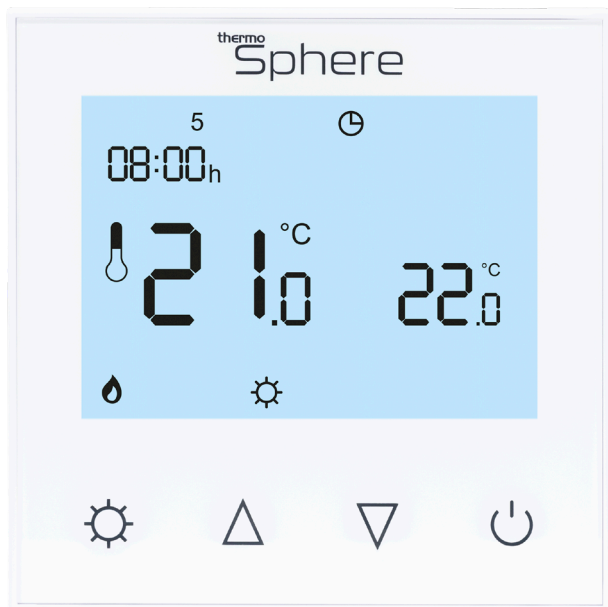


thermo Sphere

Programmable Control



Simple, programmable controls for electric underfloor heating. Set up and adjust an automatic heating schedule and make adjustments to advanced settings.

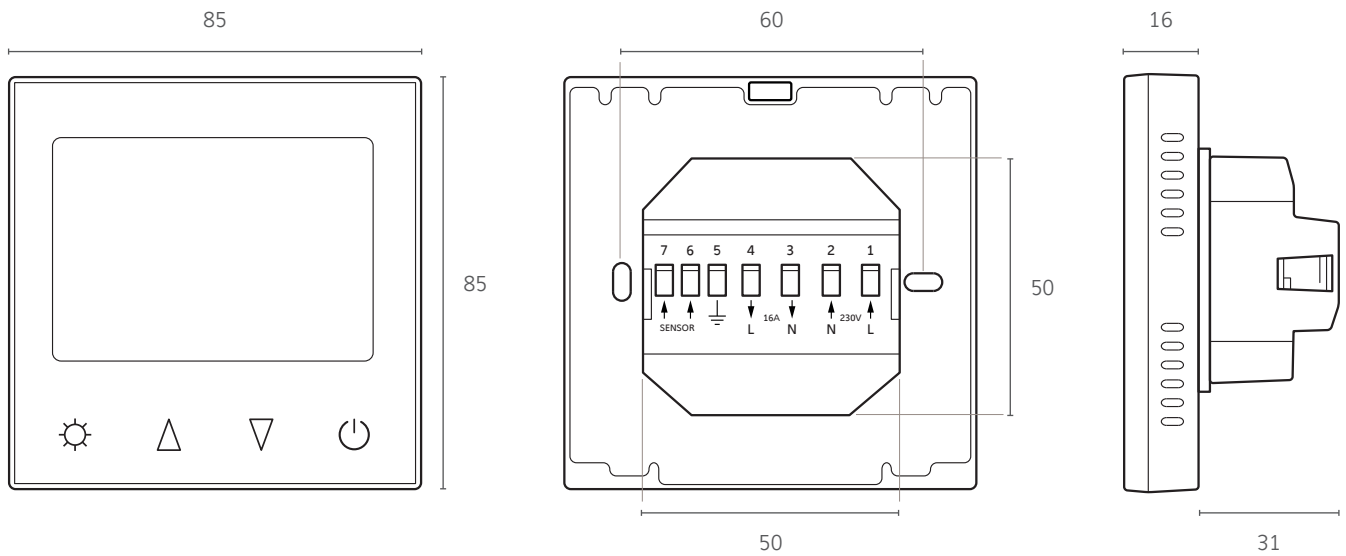
- Specifically designed for accurate control of electric underfloor heating systems.
- Built-in ambient temperature sensor.
- External floor temperature sensor probe.
- Boost the temperature manually until the next scheduled heating event.
- Smart adaptive start learns how long your floor takes to heat up and reduces energy consumption.
- Open window sensor monitors the room temperature and switches off automatically if a door or window is opened.
- Designed with touch sensitive controls for easy use.
- 7 day, 6 event heating schedule.

Technical data

Code	SCP-W-01
Supply voltage	230V 50/60Hz
Maximum load	16A (3600W)
Temperature range	5 - 80°C (0.5°C increments)
Size	W 85 x H 85 x D 16mm
Protection rating	IP30
Mounting	45mm deep back box
Sensor Rating	NTC 10kΩ @ 25°C
Warranty	3 years

thermo Sphere

Product dimensions



Box Contents

- 1 x ThermoSphere Programmable Control.
- 1 x Installation guide.
- 1 x 3m floor temperature sensor probe.
- 1 x 2m sensor conduit.
- 2 x Fixing screws.